

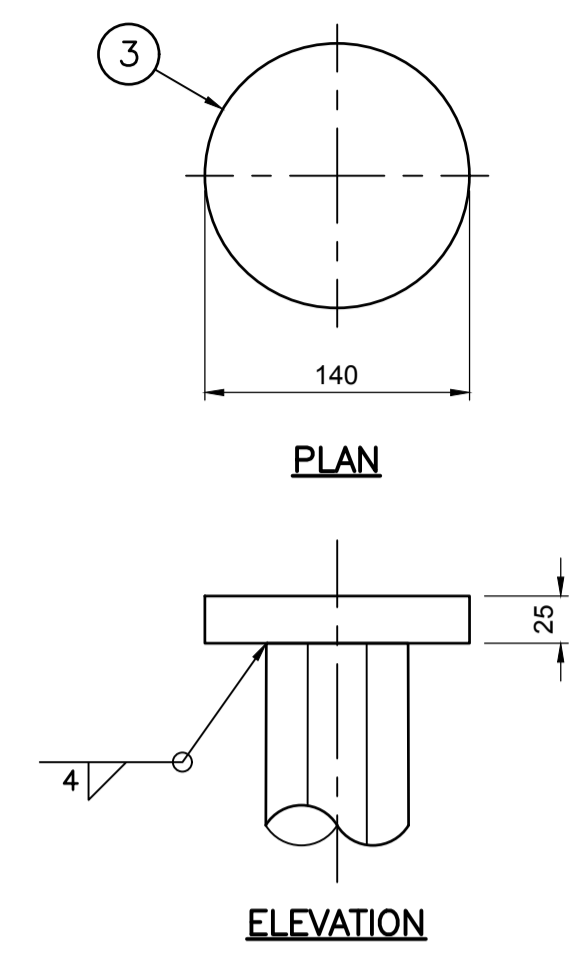
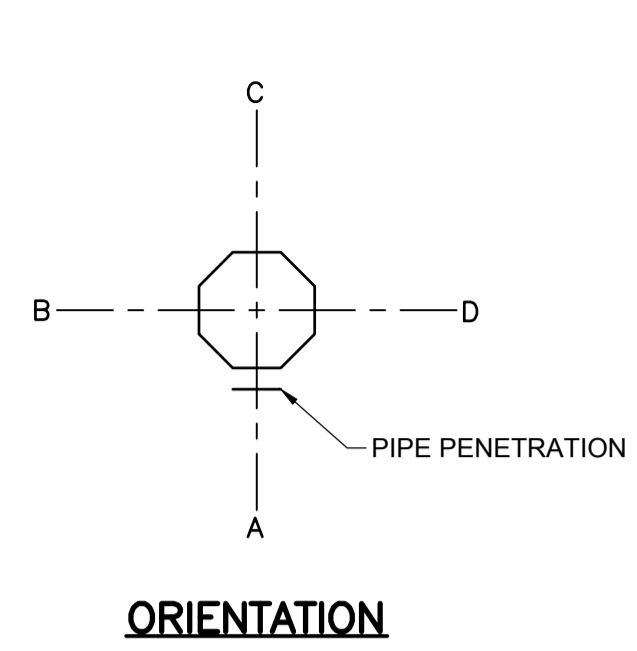
BILL OF MATERIALS

MK. NO.	QTY. REQ'D.	DESCRIPTION	SIZE	MATERIAL	REMARKS	LINE NO.	
		VERTICAL EXTENSION TO 10.7 m (35') - E					1
1	1	OCTAGONAL SECTION SHAFT	127 A/F - 75 A/F x 3.083	CSA G40.21 350W		2	
2	1	EXTENSION FLANGE PLATE	16 x 228 x 228	CSA G40.21 300W		3	
3	1	MASS DAMPER PLATE	140 DIA. x 25 THK.	CSA G40.21 300W		4	
4	4	EXTENSION FLANGE PLATE BOLTS	19 (3/4") DIA. x 70	ASTM A325	SEE DETAIL C	5	
5	1	BACK-UP STRIP PLATE	4.554 x 40	CSA G40.21 350W		6	
6	1	PIPE PENETRATION (1 1/2") C/W PLUG	48 O.D. X 25	ASTM A53 GR. B SCH. 40	REMOVE BURRS AND SHARP EDGES	7	

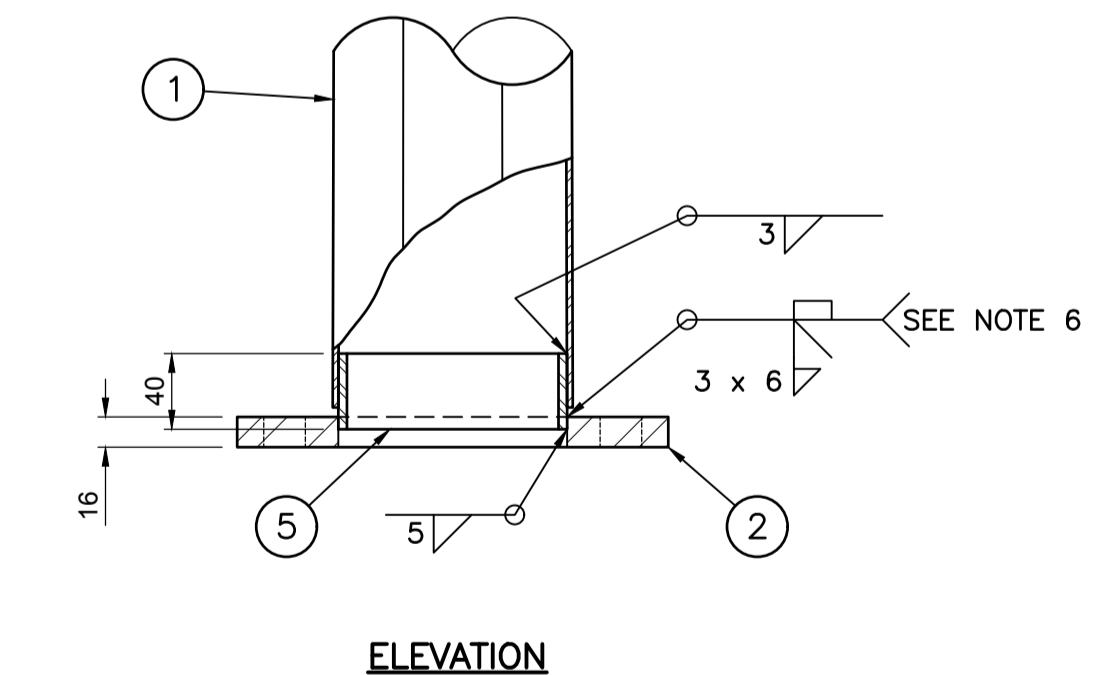
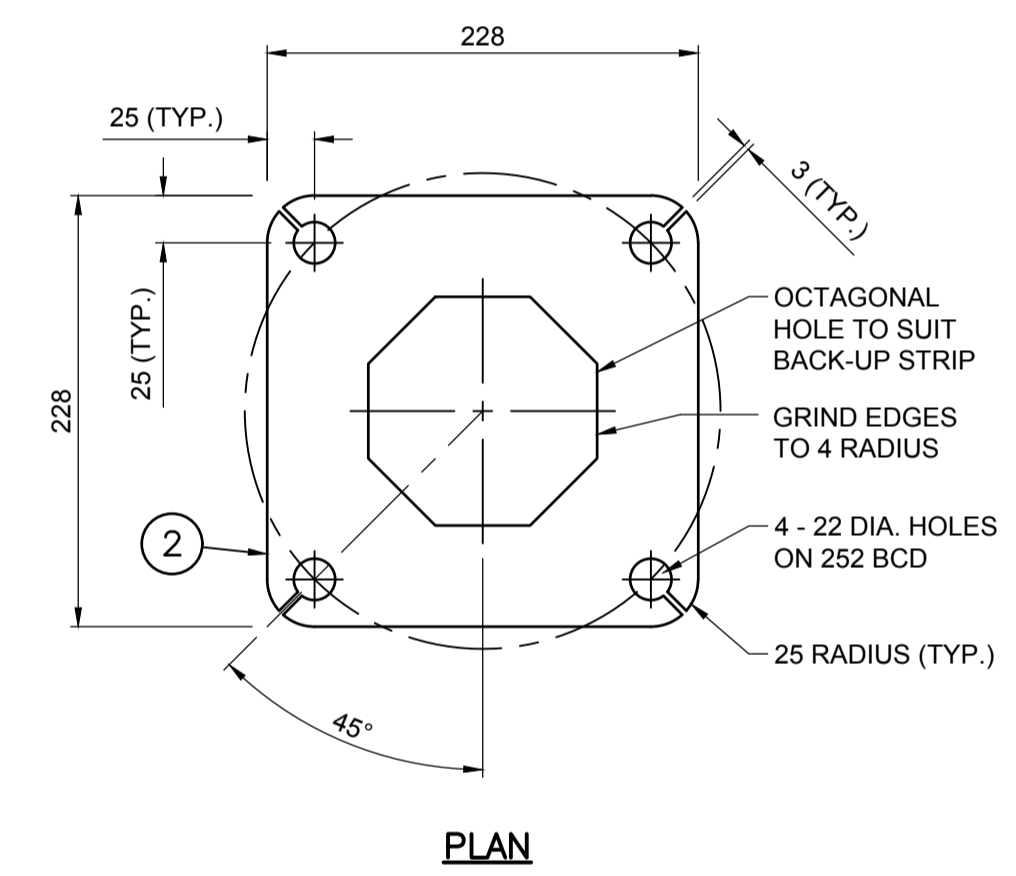
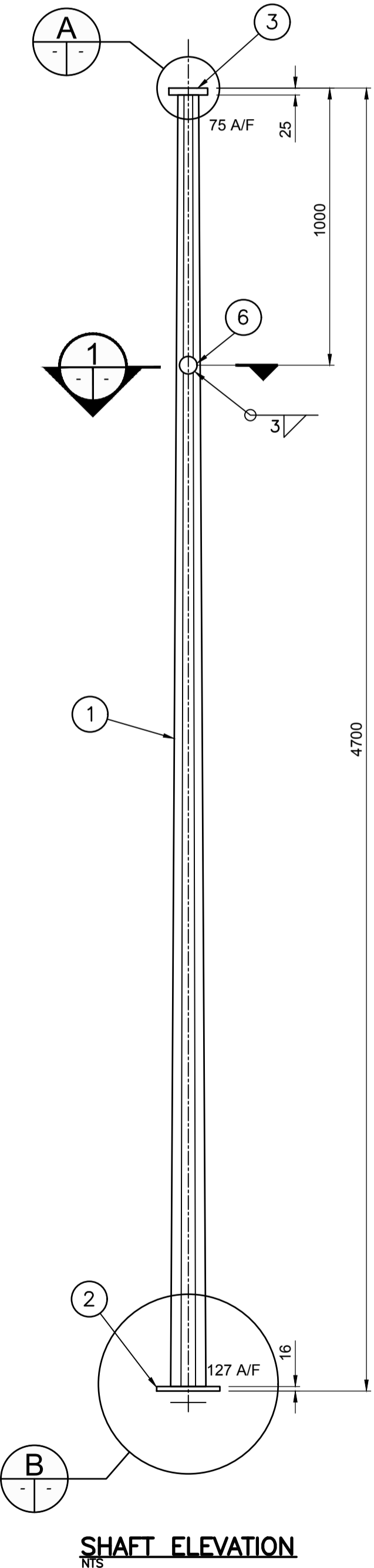
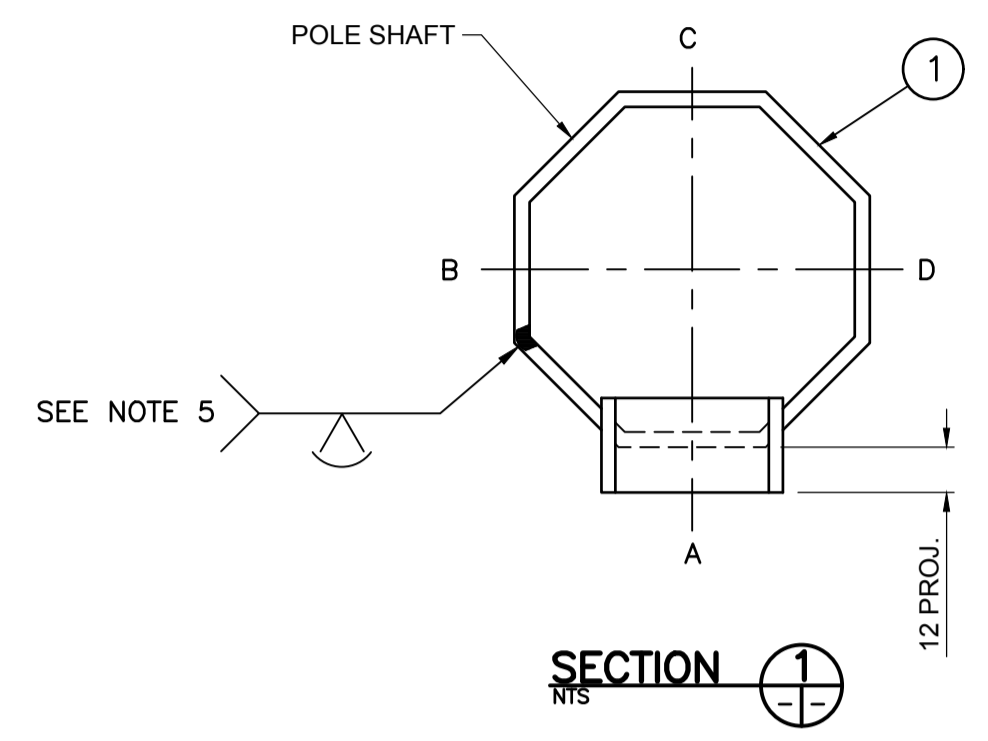
APPROXIMATE TOTAL MASS = 46 kg

NOTES:

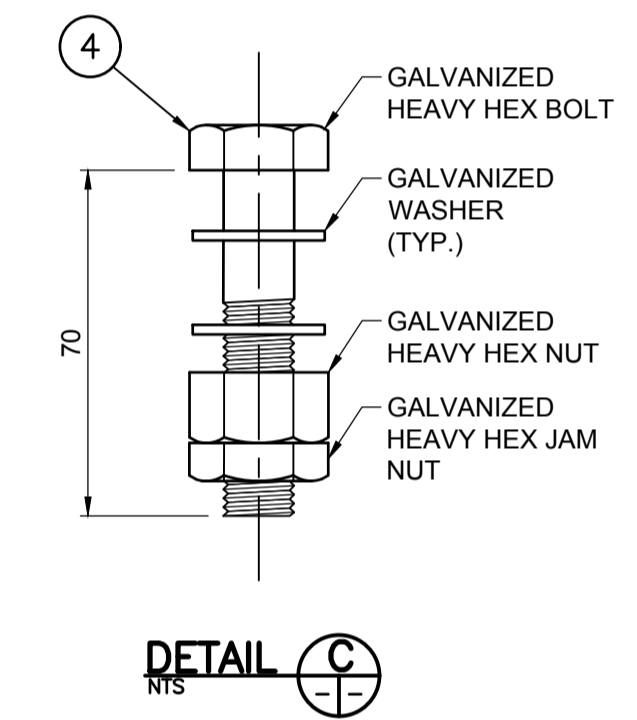
1. ALL MATERIALS, EXCEPT STAINLESS STEEL ITEMS, SHALL BE HOT DIP GALVANIZED IN ACCORDANCE WITH ASTM A123-09 (PLUS LATEST REVISIONS) WITH NET RETENTION OF 610 g/m².
2. PROVIDE RAISED IDENTIFICATION NUMBER WITH WELDING ELECTRODE AS PER SPECIFICATION, STRUCTURE CODE = E.
3. SHIP WITH NUTS AND WASHERS INSTALLED.
4. GRIND ALL SHARP POINTS AND EDGES.
5. LONGITUDINAL SEAM WELD SHALL HAVE 60% MINIMUM PENETRATION EXCEPT WITHIN 150 mm OF EXTENSION FLANGE PLATE AND MASS DAMPER PLATE SHALL BE COMPLETE PENETRATION.
6. EXTERIOR WELD JOINING SHAFT TO EXTENSION FLANGE PLATE SHALL BE AN UNEQUAL LEG COMPLETE PENETRATION WELD WITH THE LONG LEG OF THE WELD ALONG THE SHAFT, TERMINATING AT 30° FROM THE SHAFT'S SURFACE.



MASS DAMPER PLATE DETAIL A



EXTENSION FLANGE PLATE DETAIL C



V:\Traffic_Signals\7_P\Projects\Coordination\Product_Specification\Drawings\New_folder\S-SD-13_35_Verical_Extension.dwg



REDUCED DRAWING
N.T.S.

<table border="1" style="width: 100%; border-collapse: collapse;"> <tr><td>B.M. ELEV.</td><td></td><td></td><td></td></tr> <tr><td>DESIGNED BY</td><td>CDW</td><td></td><td></td></tr> <tr><td>DRAWN BY</td><td>JGW</td><td></td><td></td></tr> <tr><td>CHECKED BY</td><td>SSR</td><td></td><td></td></tr> <tr><td>APPROVED BY</td><td>-</td><td></td><td></td></tr> <tr><td>HOR. SCALE</td><td>NTS</td><td></td><td></td></tr> <tr><td>VERTICAL SCALE</td><td>NTS</td><td></td><td></td></tr> <tr><td>NO. REVISIONS</td><td>DATE</td><td>BY</td><td>DATE</td></tr> </table>	B.M. ELEV.				DESIGNED BY	CDW			DRAWN BY	JGW			CHECKED BY	SSR			APPROVED BY	-			HOR. SCALE	NTS			VERTICAL SCALE	NTS			NO. REVISIONS	DATE	BY	DATE				<p style="font-size: 1.2em; font-weight: bold;">VERTICAL EXTENSION TO 10.7 m (35')</p>	<table border="1" style="width: 100%; border-collapse: collapse;"> <tr><td>CITY DRAWING NUMBER</td><td>S-SD-13</td></tr> <tr><td>SHEET</td><td>13 OF 17</td></tr> <tr><td>CONSULTANT DRAWING NUMBER</td><td>N/A</td></tr> </table>	CITY DRAWING NUMBER	S-SD-13	SHEET	13 OF 17	CONSULTANT DRAWING NUMBER	N/A
B.M. ELEV.																																											
DESIGNED BY	CDW																																										
DRAWN BY	JGW																																										
CHECKED BY	SSR																																										
APPROVED BY	-																																										
HOR. SCALE	NTS																																										
VERTICAL SCALE	NTS																																										
NO. REVISIONS	DATE	BY	DATE																																								
CITY DRAWING NUMBER	S-SD-13																																										
SHEET	13 OF 17																																										
CONSULTANT DRAWING NUMBER	N/A																																										
<table border="1" style="width: 100%; border-collapse: collapse;"> <tr><td>RELEASED FOR CONSTRUCTION</td><td>DATE</td></tr> </table>		RELEASED FOR CONSTRUCTION	DATE	<table border="1" style="width: 100%; border-collapse: collapse;"> <tr><td>CONSULTANT PROJECT NUMBER</td><td>12-5954</td></tr> </table>		CONSULTANT PROJECT NUMBER	12-5954																																				
RELEASED FOR CONSTRUCTION	DATE																																										
CONSULTANT PROJECT NUMBER	12-5954																																										